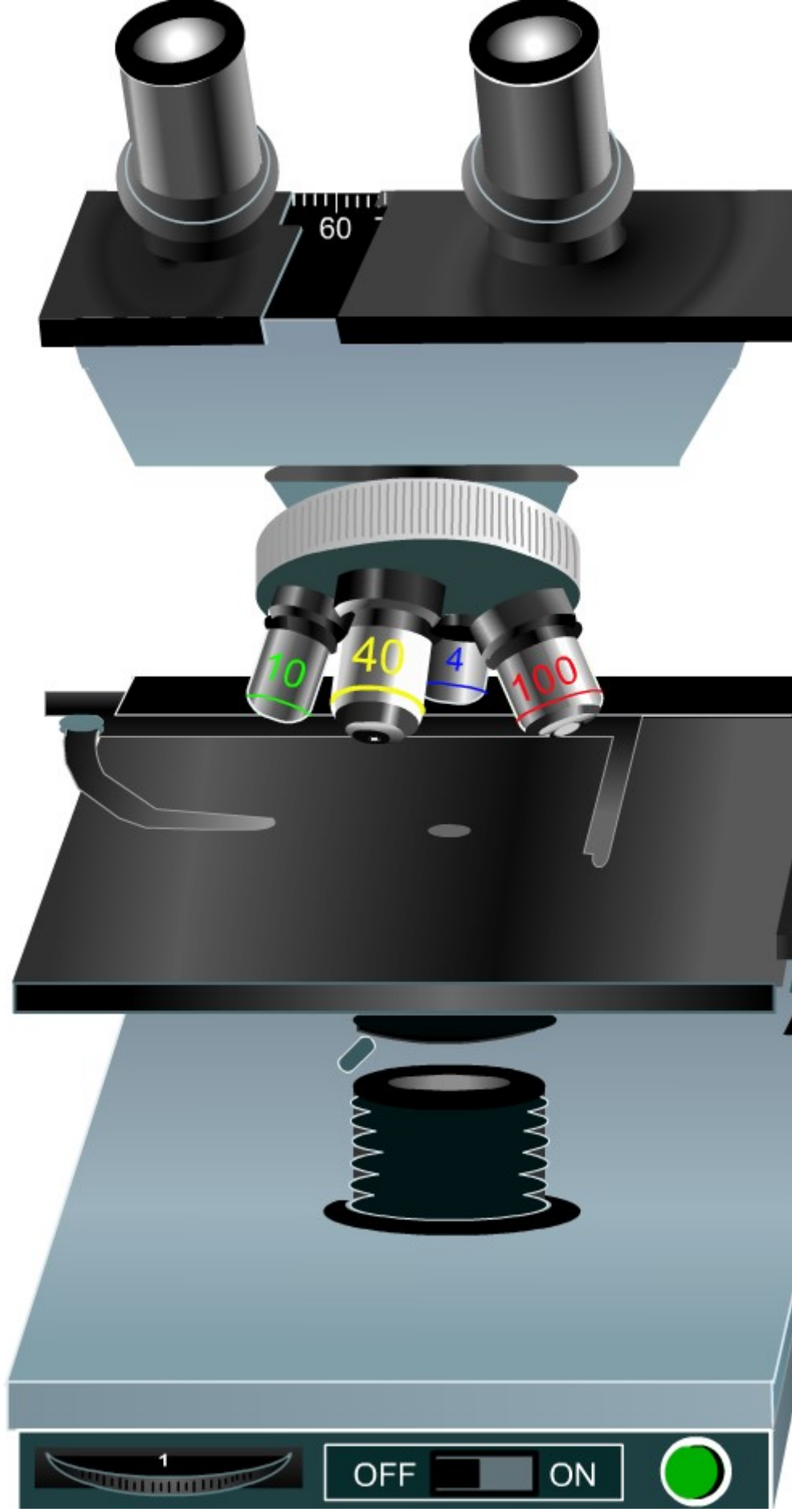
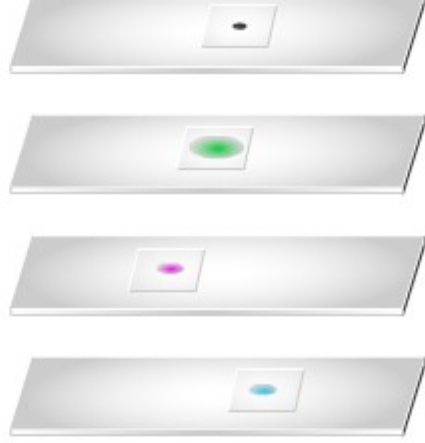


You are  
**Looking at**  
the microscope

switch views

checklist





**Getting Started** X

If this is your first time using this simulation, please take a moment to familiarize yourself with the controls and options.

  start tour

volume:  

